

Refrigeration Equipment 3-Door Full Height Freezer 81 " Long

ITEM # _____

MODEL # _____

NAME # _____

SIS # _____

AIA # _____



738246 (KCHRI81R3DF)

3-Door Full Height Freezer 81
" Long

Short Form Specification

Item No. _____

3 full door freezer with exterior top, back, and bottom panels in galvanized steel, exterior side panels in 430 stainless steel; interior back, side, top and bottom panels in 304 stainless steel. Control with cabinet temperature display. Self-closing and on-site reversible door feature with lock and key. R290 gas in the refrigeration circuit. ETL Safety and Sanitation certifications. 3/5 Years warranty.

Main Features

- External temperature display.
- Removable gasket for easy cleaning operations.
- Fin & Tube Condenser improves performance in high temperature environments.
- Automatic Defrost Cooling System provides worry-free performance.
- Electronic Temperature Control, quick and simple to set, with control display for easy monitoring.
- Heavy duty Vinyl coated steel shelves.
- Cabinet completely insulated with high density polyurethane for low environmental impact.
- Bottom mounted cooling unit slides out for easy access and cleaning.

Construction

- Lockable door.
- Self-closing door with 90-degree stay-open feature.
- Heavy duty casters.
- Pre-wired heavy duty power cord.
- Heavy duty door hinges.
- Magnetic gasket removable without tools for easy cleaning.

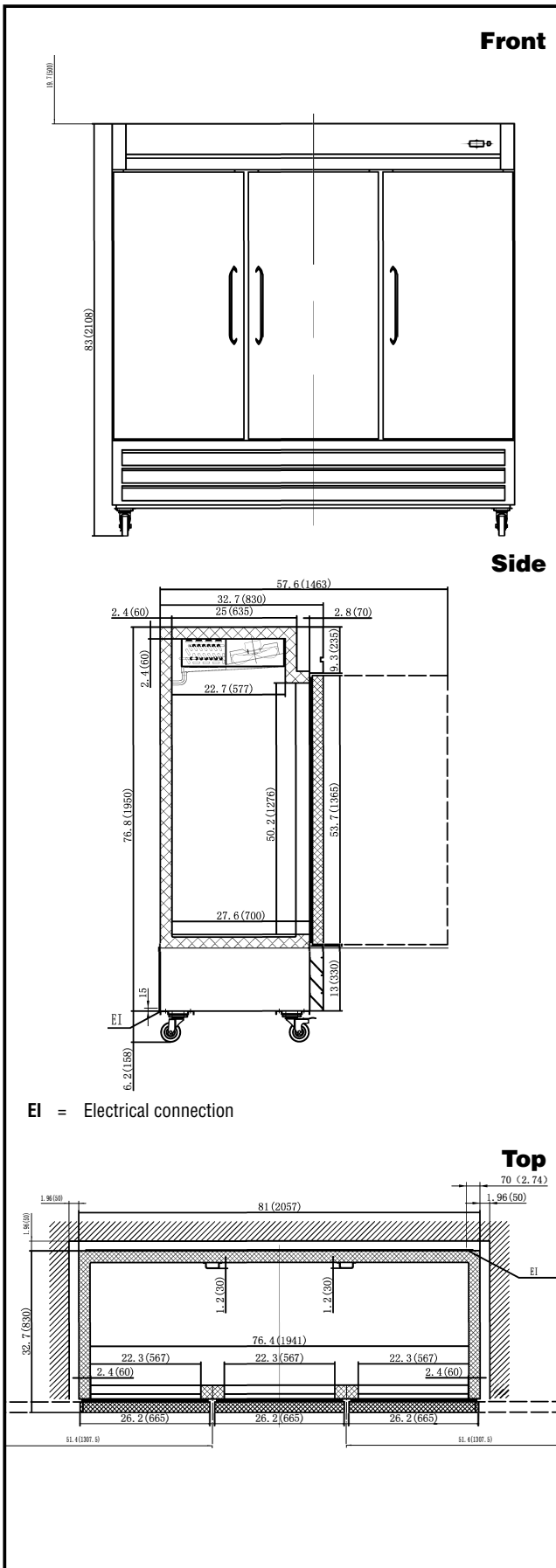
Sustainability

- High efficiency components to minimize the energy consumption still guaranteeing the highest performances.
- Interior LED light to save energy and for best internal visibility.

Optional Accessories

- 1 ADJUSTABLE FOOT PNC 206445
- Shelf for 54" and 81" (left/right) Reach-In (Solid Door) PNC 880591
- Middle Shelf for 81" Reach-Ins (Solid Door) PNC 880592
- Shelf clips (4-pack) PNC 880611
- Sheet Pan Rack Fits KCHRI Models PNC 880622

APPROVAL: _____



Electric

Supply voltage:

738246 (KCHRI81R3DF) 115-230 V/1 ph/60 Hz

Electrical power, max:

1 kW

Plug type:

USA NEMA L14-20P

Capacity:

Gross capacity: 72 cu.feet

Key Information:

| | |
|--------------------------------------|---|
| Door hinges: | 1 Left+2 Right |
| External dimensions, Width: | 81 " (2057 mm) |
| External dimensions, Depth: | 32 11/16" (830 mm) |
| External dimensions, Height: | 83 " (2108 mm) |
| Number and type of doors: | 3 Full |
| Internal Dimensions (depth): | 27 1/2" / (698.5 mm) |
| Internal Dimensions (height): | 50 3/16" / (1275.08 mm) |
| Internal Dimensions (width): | 76 3/8" / (1940.56 mm) |
| Shipping height: | 84 5/8" (2150 mm) |
| Shipping weight: | 809 lbs (367 kg) |
| Shipping volume: | 139.55 ft ³ (3.95 m ³) |
| Number and type of grids (included): | 9 - Coated Steel |
| Type of external material: | Stainless Steel |
| Type of internal material: | 304 AISI |
| Warranty: | 3 / 5 years |
| Approvals | ETL C&US;ETL SANITATION |

Refrigeration Data

| | |
|-----------------------------|--------------|
| Compressor power: | 1 1/2 hp |
| Operating temperature min.: | -10.01 °F |
| Operating temperature max.: | 0 °F |
| Condenser type: | Fin & tube |
| Defrost type: | Auto Defrost |

Sustainability

| | |
|----------------------|--------|
| Current consumption: | 9 Amps |
| Refrigerant type: | R290 |
| GWP Index: | 3 |
| Refrigerant weight: | 150 g |